

MAXIMAL FORKLIFT



M SERIES

2.0 / 2.5 / 3.0 / 3.5t

Diesel Forklift

Sino-American Zhejiang Maximal Forklift Co.,Ltd.

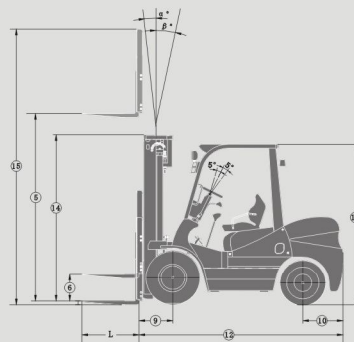
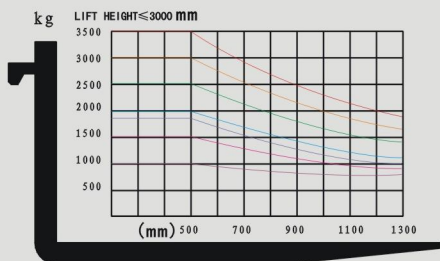


MAXIMAL FORKLIFT SPECIFICATION

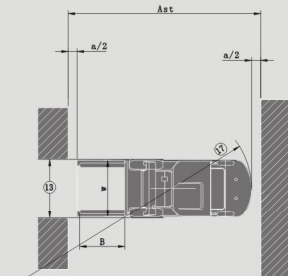
M series 2.0-3.5t diesel forklift specification

General	1	Model		FD20T-MWA3	FD25T-MWA3	FD30T-MWA3	FD20T-MWC3	FD25T-MWC3	FD30T-MWE3	FD35T-MWE3	
	2	Power Type		Diesel							
	3	Rated Capacity	k9	2000	2500	3000	2000	2500	3000	3500	
	4	Load Centre	mm	500							
Characteristic&Dimension	5	Lift height	mm	3000							
	6	Free Lift Height	mm	160	160	165	160	160	165	165	
	7	Fork size	L×W×T	mm	1070×122×40	1070×122×40	1070×125×45	1070×122×40	1070×122×40	1070×125×45	1070×125×50
	8	Mast tilt angle	F/R	Deg	6°/12°						
	9	Fork overhang (Wheel center to fork face)	mm	460	460	485	460	460	485	485	
	10	Rear Overhang	mm	465	500	525	465	500	525	590	
	11	Ground clearance (Bottom of mast)	mm	125	125	140	125	125	140	140	
	12	Overall dimensions	Length to face of fork (Without fork)	mm	2525	2560	2700	2525	2560	2700	2765
	13		Overall width	mm	1150	1150	1210	1150	1150	1210	1210
	14		Mast lowered height	mm	2010	2010	2075	2010	2010	2075	2150
	15		Mast extended height (With backrest)	mm	4020	4020	4140	4020	4020	4140	4140
	16	Overhead guard height	mm	2095	2095	2120	2095	2095	2120	2120	
	17	Turning radius (outside)	mm	2180	2250	2430	2180	2250	2430	2450	
	18	Min.right angle stacking aisle width (add load length and clearance)	mm	1940	2010	2140	1940	2010	2140	2160	
Performance	19	Speed	Travel (No load)	km/h	19						
	20		Lifting (Full load)	mm/sec	510	510	410	510	510	410	380
	21		Lowering (Full load)	mm/sec	450						
	22	Max.Drawbar pull (Full load/no load)	KN	17/15	17/15	17/15	17/15	17/15	19/17	19/17	
	23	Max.Gradeability (Full load)	%	20	20	20	20	20	20	18	
	24	Self weight	kg	3450	3620	4310	3450	3620	4310	4750	
Power&Transmission	25	Battery	Voltage/Capacity	VI/Ah	12/100						
	26	Engine	Model		C240PKJ (EU II / EU III)			4TNE92 (EU III)		4TNE98 (EU III)	
	27		Manufacture		ISUZU			YANMAR		YANMAR	
	28		Rated output/r.p.m.	kw	34.5/2500			33/2450		44.3/2300	
	29		Rated torque/r.p.m.	N•m	139/1800			150/1600		186-206/1700	
	30		No.of cylinder		4			4		4	
	31		Fuel tank capacity	L	60	60	70	60		70	
	32	Transmission	Type		Powershift						
	33		FWD/RVS		1/1						
	34	Operating pressure (For attachments)	Mpa	17.5							

Load Chart



a=200 mm safety clearance
 $AST = a + \textcircled{17} + \textcircled{17} \sqrt{W^2 + (B/2)^2}$



Sino-American Zhejiang Maximal Forklift Co.,Ltd.
 Address: No.1, Jinxin Road, Lushan Industrial area, Fuyang, Zhejiang China

Tel: 0086-571-28001566 28935028 28935029
 Fax: 0086-571-28001569
 Website: www.maxforklift.com
 E-mail: info@maxforklift.com



All rights reserved. Any doubt, please contact us.